

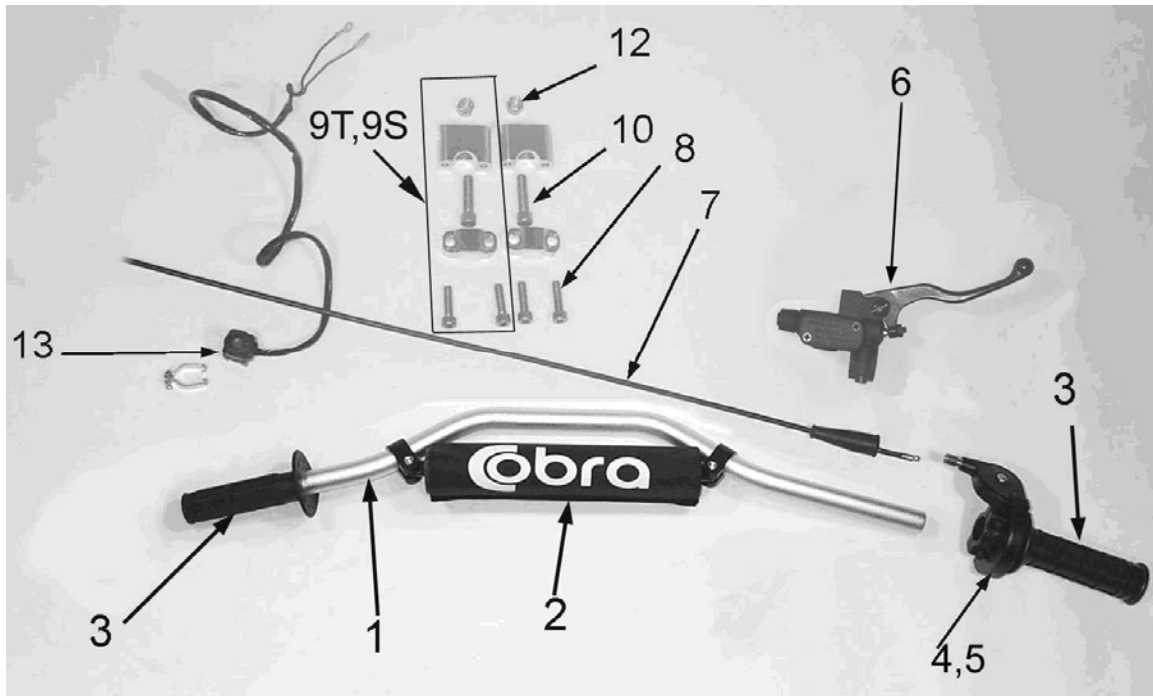
Parts

Parts – Airbox & Inlet System



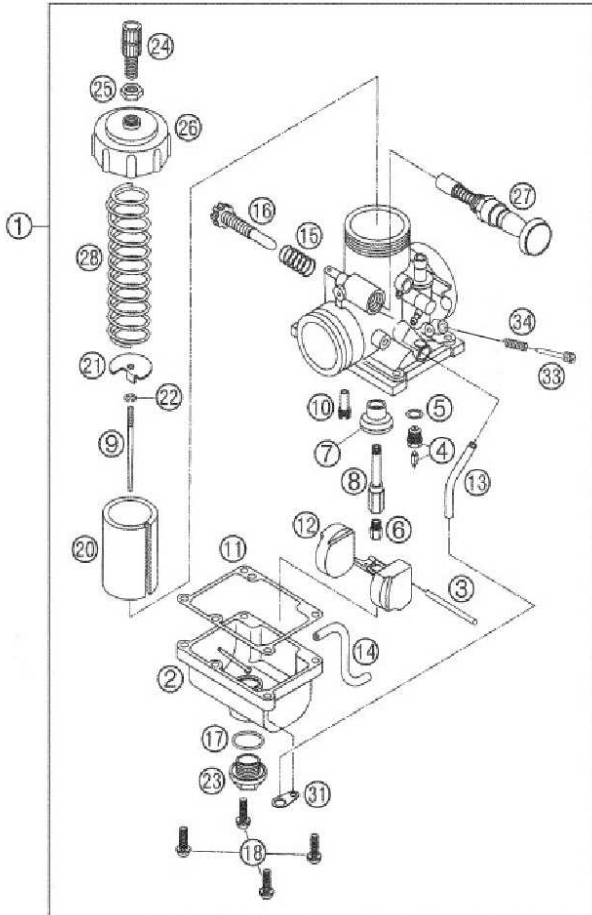
Coolant System		
REF #	PART #	DESCRIPTION
1	RCC60007	AIRBOX 07 65
2	TCC60008	MUD FLAP 07 65
3	HCSP0003	SCREW – PLASCREW
4	MCKGHO03	CLAMP, AIR BOOT TO AIR BOX
5	RCC60002	AIR FILTER 07 65
6	RCC60003	AIR FILTER CAGE
7	RCC60004	AIR FILTER WIRE 07 65
8	RCC60005	AIR BOOT, CARB TO AIRBOX 65
9	RCC60006	AIR FILTER CAP 07 65
10	ECC60006	REED ASSEMBLY 07 65
11	ECC60007	INLET MANIFOLD 07 65
12	HCBC0602	6X20MM SOCKET HEAD CAP SCREW
13	MCKGHO04	CLAMP, MANIFOLD TO CARB
14	ZCC60002	GASKET REED 07 65
15	RCC60001	CARBURETOR 24MM MIKUNI
16	MCMUCL04	HOSE CLAMP 8MM
17	FCMU0026	FUEL LINE

Parts – Bars and Controls



Bars and Controls		
REF #	PART #	DESCRIPTION
1	FAMU0011	HANDLEBAR – ALUMINUM
2	MCMU0001	OPTIONAL CROSS BAR PAD
3	TCMU0008	GRIPS (SET OF TWO)
4	FCMU0066	THROTTLE ASSEMBLY
5	FCMU0021	THROTTLE COVER
6	BCC60008	ALLOY BRAKE LEVER
6	BCC60009	MASTER CYLINDER ASSY W/LEVER
7	RAC60001	THROTTLE CABLE
8	HCBC0806	SOCKET HEAD CAP SCREW M8 X 30 (4 PER)
9S	TKMU0404M	BAR MOUNT KIT, SHORT (2 PER)
9T	TKMU0403M	BAR MOUNT KIT, TALL (2 PER) STOCK
10	HCBC1002	10X50 SOCKET HEAD CAP SCREW (2 REQ'D PER BIKE)
12	HCNL1001	M10 LOCK NUT
NOT SHOWN	HCBH0816	M8 X 16 HEX HEAD BOLT
13	FCMU0033	KILL SWITCH ASSEMBLY

Parts - Carburetor



Carburetor		
REF. #	PART #	DESCRIPTION
1	RCC60001	CARBURETOR 24MM MIKUNI
2		FLOAT BOWL
3		FLOAT ARM PIN
4		NEEDLE VALVE & SEAT ASSY
5		WASHER, NEEDLE VALVE
6	SEE BELOW	MAIN JET
8		NEEDLE JET
9		JET NEEDLE
10	SEE BELOW	PILOT JET
11		GASKET , FLOAT BOWL
12		FLOATS
13		VENT HOSE
15		SPRING IDLE SCREW
16		GASKET, FLOAT BOWL
17		WASHER, MAIN JET PLUG
18		SCREW, FLOAT BOWL
20		SLIDE
21		PLATE, SPRING SEAT
22		CLIP, NEEDLE RETAINER
23		MAIN JET PLUG
24		CABLE ADJUSTER
25		LOCKNUT
26		TOP, CARBURETOR
27		CHOKE ASSY
31		PLATE, VENT TUBE ANCHOR
33		SCREW, AIR ADJUSTING
34		SPRING, AIR SCREW

PILOT JET		MAIN JET	
25	RCMU0025	165	RCMU0165
27.5	RCMU0027	170	RCMU0170
30	RCMU0030	175	RCMU0175
32.5	RCMU0032	180	RCMU0180
35	RCMU0035	185	RCMU0185
37.5	RCMU0037	190	RCMU0190
40	RCMU0040	195	RCMU0195
42.5	RCMU0042	200	RCMU0200
45	RCMU0045	205	RCMU0205
		210	RCMU0210
		215	RCMU0215
		220	RCMU0220
		225	RCMU0225
		230	RCMU0230
		235	RCMU0235
		240	RCMU0240
		245	RCMU0245
		250	RCMU1250

Parts – Coolant System



Coolant System		
REF #	PART #	DESCRIPTION
1	FCDC0000	RADIATOR W/CAP - CX65
2	FCMU0047	CAP – RADIATOR
3	FCKG0214	HOSE – OVERFLOW
	MCMUCL05	HOSE CLAMP 11-20 UNIVERSAL
4	FCDC0009	RADIATOR LOUVER-CX65
5	HCCN0000	5MM EXTRUDED "U" NUT
6	ECC60011	HOSE RADIATOR UPPER
7	ECC60012	HOSE RADIATOR BOTTOM
8	ECC60013	HOSE TRANFTER – CASES TO CYLINDER
9	MCMUCL07	HOSE CLAMP RADIATOR SMALL (7 REQ'D)
10	MCKGHO04	HOSE CLAMP RADIATOR LARGE (1 REQ'D)
11	MCEXGR01	GROMMET RADIATOR
12	WCMU0006	SPACER
13	HCWF0618	6MM WASHER 18MM OD BLK ZINC
14	HCBF0625	6X25 FLANGED HEX-8MM HEAD



Parts – Electrical System

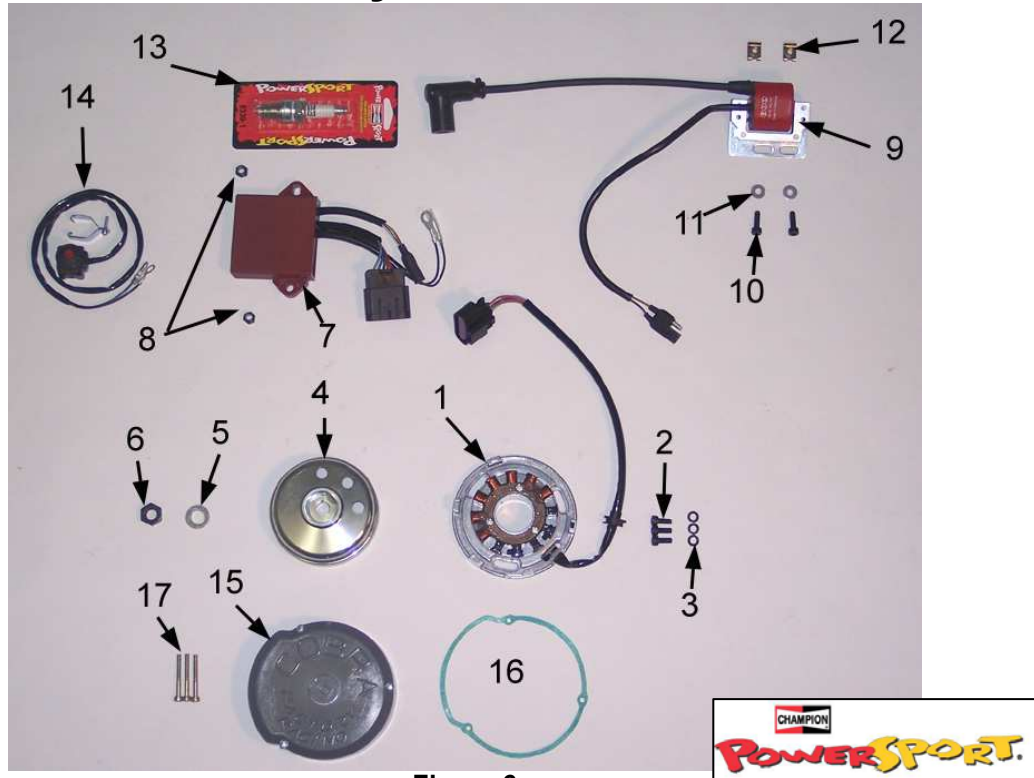
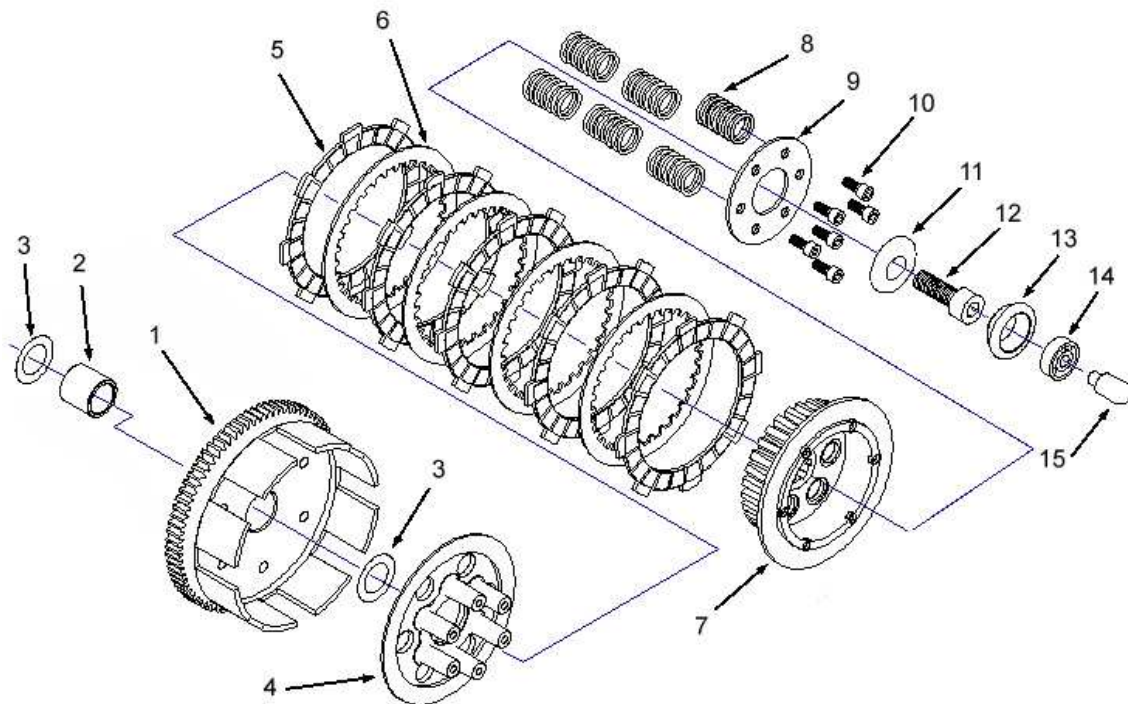


Figure 6

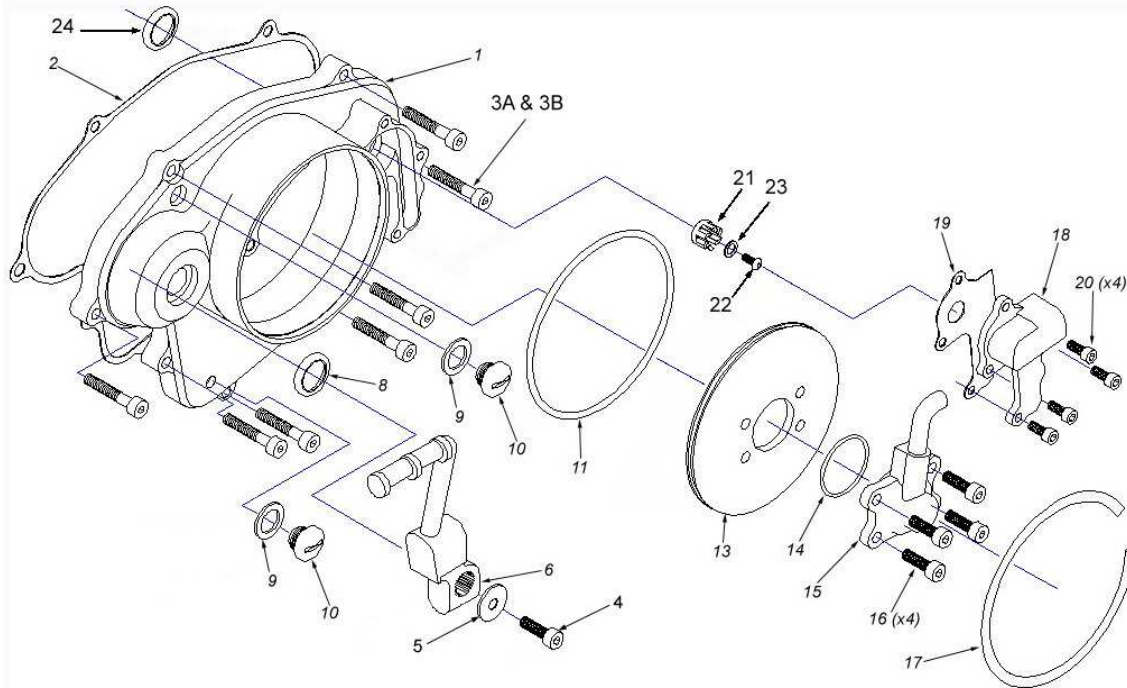
Electrical System		
REF #	PART #	DESCRIPTION
1	ICC60004	STATOR DIGITAL 07 65
2	HCBC0501	5X12MM SHCS (3 REQ'D)
3	HCWF0501	5MM FLAT WASHER (3 REQ'D)
4	ICC60003	ROTOR OUTER STYLE 07 65
	ICMU0012	WOODRUFF KEY
5	HCWF0038	3/8 FLAT WASHER
6	HCNS1001	10MM X 1.25 NUT
7	ICC60002	CDI UNIT 07 65
8	HCNL0601	6MM LOCKNUT – CDI MOUNTING (2 REQ'D)
9	ICC60001	COIL DIGITAL 07 65
10	HCBC0516	5X16MM SHCS – COIL MOUNTING (2REQ'D)
11	HCSP0002	5MM WASHER – COIL MOUNTING (2 REQ'D)
12	HCCN0000	5MM EXTRUDED "U" NUT – COIL MOUNTING (2 REQ'D)
13	ECMU0065	SPARK PLUG, CHAMPION (8339-1)
	ECMU0067	OPTIONAL HOTTER PLUG (8332-1)
	ECMU0066	OPTIONAL COLDER PLUG (8904-1)
14	FCMU0033	KILL SWITCH ASSEMBLY
15	ECDC0085	COVER – IGNITION
16	ZCDC0004	GASKET-IGNITION COVER
17	HCBC0402	4X35MM SHCS – COVER MOUNTING (3 REQ'D)

Parts – Engine Clutch



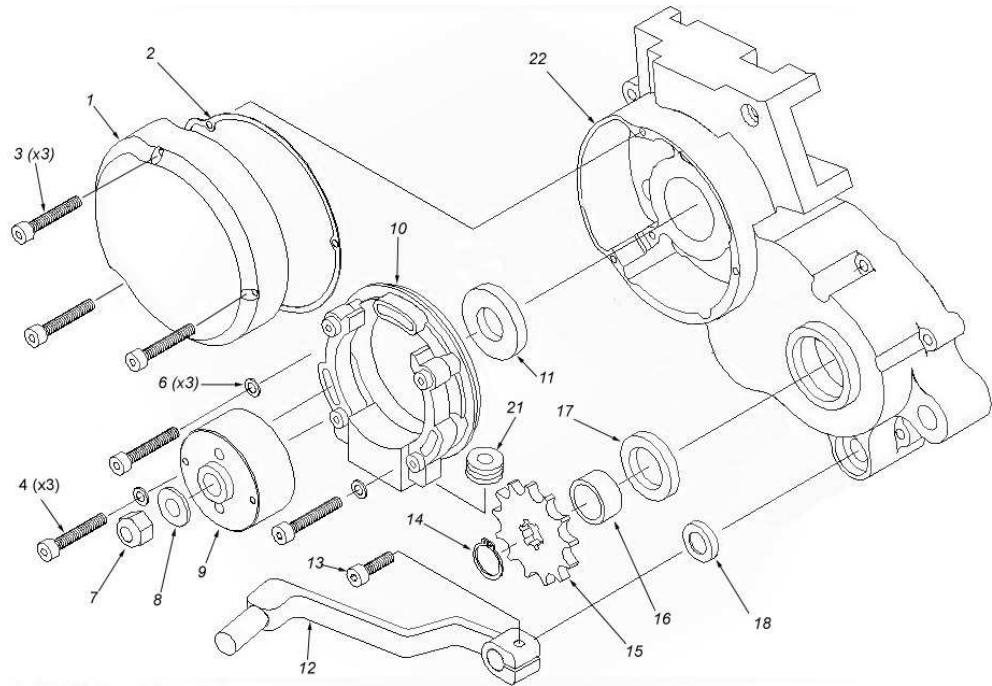
Clutch components		
REF. #	PART #	DESCRIPTION
1	EAEX0003	CLUTCH BASKET ASSEMBLY
2	ECDC0064	CLUTCH BUSHING – INNER / STEEL
NOT SHOWN	ECDC0167	CLUTCH BUSHING - OUTER / BRONZE
3	ECDC0063	CLUTCH WASHER (2 PLACES)
4	ECDC0066	CLUTCH PRESSURE PLATE
5	ECDC0068	CLUTCH DISC-FRICTION – (5 REQ'D)
6	ECDC0067	CLUTCH DISC-STEEL – (4 REQ'D)
7	ECDC0069	CLUTCH HUB
8	ECDC0070	SPRING, CLUTCH – (6 REQ'D)
9	ECDC0071	PLATE, CLUTCH SPRING
10	HCBC0525	5X25 SOCKET HEAD CAP SCREW (6 REQ'D)
11	ECDC0030	SPRING WASHER – CLUTCH
12	HCBC1035	10MM X 35 SHCS BLACK OXIDE
13	ECDC0019	CLUTCH BEARING SEAT
14	ECDC0018	BEARING, CLUTCH THROW OUT
15	ECDC0020	CLUTCH PUSH ROD

Parts – Engine – Clutch / Kick Cover



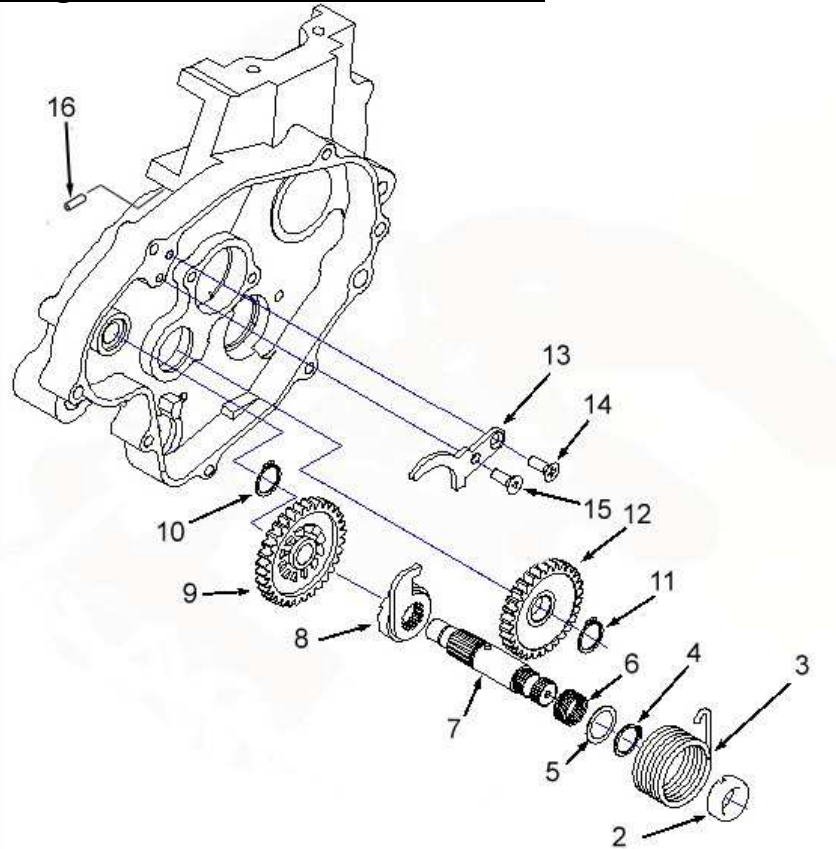
Clutch / kick cover components		
REF. #	PART #	DESCRIPTION
1	ECMU0150	CLUTCH COVER (07 STYLE)
2	ZCMU0014	GASKET-CLUTCHCOVER
3A	HCBF0625	6X25 SOCKET HEAD CAP SCREW (6 REQ'D)
3B	HCBF0630	6X30 SOCKET HEAD CAP SCREW (2 REQ'D)
4	HCBF0612	6X12 FLANGE HEAD BOLT
5	HCWF0618	WASHER - KICK LEVER
6	ECMU0130	KICKSTARTER LEVER
8	ECDC0078	SEAL,KICKSTARTER
9	ZCMU0005	GASKET-OIL FILL PLUG
10	ECMU0037	OIL FILL PLUG W/GASKET
11	ZCDCOR05	ORING-CLUTCH CAP
13	ECDC0074	CLUTCH CAP
14	ZCDCOR04	ORING,CLUTCH SLAVE CYLINDER
NOT SHOWN	CCEX0009	BALL, CLUTCH ACTUATOR
15	CAC60001	CLUTCH ASSEMBLY
16	HCBC0601	6X16 SOCKET HEAD CAP SCREW
17	ECDC0082	SNAP RING-CLUTCH CAP
18	ECAX0150	IMPELLER COVER
19	ZCC60004	GASKET-IMPELLER COVER
20	HCBC0601	6X16 SOCKET HEAD CAP SCREW
21	ECDC0075	IMPELLER, WATERPUMP
22	HCBC0601	6X16 SHCS
23	HCWF0501	5MM FLAT WASHER
24	ECKG0074	SEAL, WATERPUMP

Parts - Engine - Ignition Side



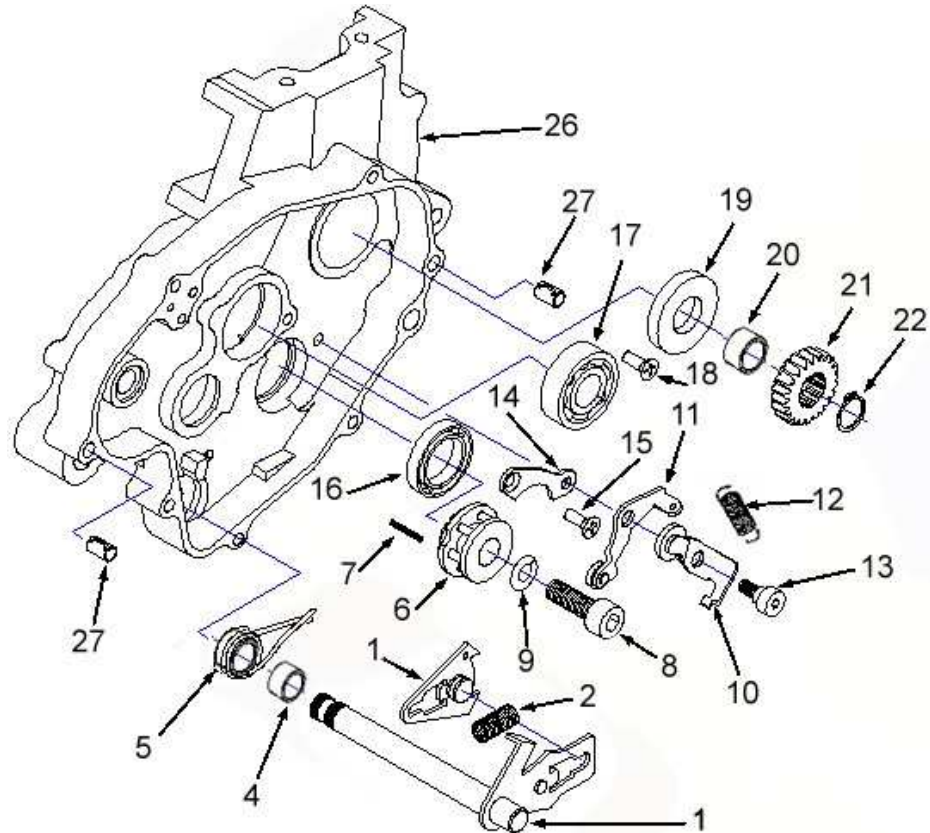
Ignition side engine components		
REF. #	PART #	DESCRIPTION
1	ECDC0085	IGNITION COVER
2	ZCDC0004	GASKET-IGNITION COVER
3	HCBC0402	4X35 SOCKET HEAD CAP SCREW (3 REQ'D)
4	HCBC0501	5X12MM SHCS
6	HCWF0501	WASHER FLAT 5MM
7	HCNS1001	NUT M10
8	HCWF0038	3/8 FLAT WASHER
9	ICC60003	ROTOR PVL OUTER STYLE
10	ICC60004	STATOR PVL DIGITAL 07 65
11	ECDC0024	SEAL, CRANKSHAFT
12	ECDC0086	SHIFTER LEVER - CX65
13	HCBH0620	M6 X 20 HEX HEAD BOLT
14	ECKGSR03	SNAP RING-OUTPUT-COBRA
15	PCKG00xx	SPROCKET xx denotes number of teeth
16	ECDC0009	SPACER, SPROCKET
17	ECDC0025	SEAL, OUTPUT
18	ECDC0026	SEAL, SHIFTER
21	ICMUGR01	GROMMET-IGNITION
22	EAC60002	ENGINE CASE LH W/B&S CX65 07
23	ZCKGB017	O-RING, SPROCKET SPACER
24	ECEX0008	BUSHING, SHIFTER SHAFT

Parts - Engine – Kick Mechanism



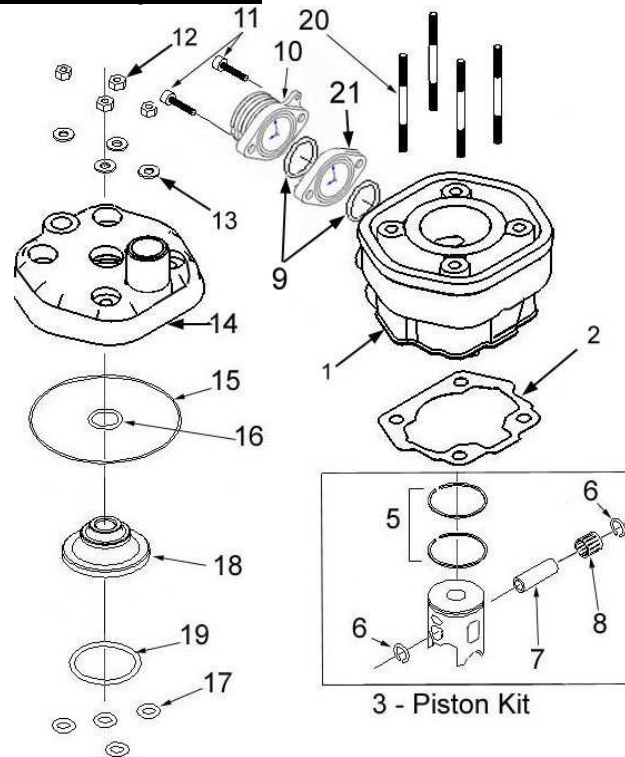
Kick Mechanism		
REF. #	PART #	DESCRIPTION
	EAC60003	ENGINE CASE RH W/B&S CX65 07
2	ECDC0111	SPACER, KICK START SHAFT
3	ECDC0040	SPRING, KICKSTART RETURN
4	ECDC0036	SNAP RING, EXTERNAL 16MM
5	ECDC0043	WASHER, KICKSTART BACKUP
6	ECDC0042	SPRING, KICKSTART RAMP
7	ECMU0135	SHAFT, KICK START
8	ECDC0038	RAMP GEAR, KICKSTART
9	ECDC0033	GEAR, KICKSTART
10	ECDC0035	SNAP RING, EXTERNAL 12MM
11	ECDC0037	SNAP RING, EXTERNAL 15MM
12	ECDC0032	GEAR, KICK START IDLE
13	ECDC0039	RAMP, KICK START
14	ECDC0060	6MM X 16 PHILLIPS FLAT HEAD SCREW
15	HCBB1612	6MM X 12 MM BUTTON HEAD BLACK OXIDE
16	ECMU0533	FITTING, VENT HOSE
NOT SHOWN	ECMU0534	VENT HOSE

Parts – Engine – Shift Mechanism



Clutch components		
REF. #	PART #	DESCRIPTION
1	ECDC0054	SHIFTER SHAFT (2 COMPONENTS)
2	ECDC0055	SPRING, SHIFTER SHAFT
4	ECDC0110	SPACER, CENTERING SPRING
5	ECDC0099	SPRING, CENTERING
6	EADC0152	SHIFT CASSETTE ASSEMBLY
7	ECDC0053	DOWEL – SHIFT DRUM INDEX
8	HCBC1825	8MM X 25 SHCS BLACK OXIDE
9	HCWL0802	8MM LOCKWASHER, HI COLLAR
10	ECDC0057	LEVER NEUTRAL POSITIONING
11	ECDC0058	LEVER, DRIVE GEAR POSITIONING
12	ECDC0098	SPRING, CHANGE LEVER
13	ECDC0059	BOLT SHOULDER
14	ECDC0056	BEARING RETAINER PLATE
15	ECDC0060	6MM X 16 FLAT HEAD PHILLIPS SCREW
16	ECDC0022	BEARING, SHIFT DRUM
17	ECMU0016	BEARING, PRIMARY SHAFT CLUTCH SIDE
18	HCBB1612	6MM X 12 BUTTON HEAD BLACK OXIDE
19	ECDC0024	SEAL, CRANKSHAFT
20	ECDC0112	SPACER, CRANK DRIVE GEAR
21	ECDC0073	CRANK DRIVE GEAR
22	ECDC0036	SNAP RING, EXT 16MM
26	EAC60003	ENGINE CASE RH W/B&S CX65 07
27	ECDC0031	DOWEL, HOLLOW (2 PLACES)

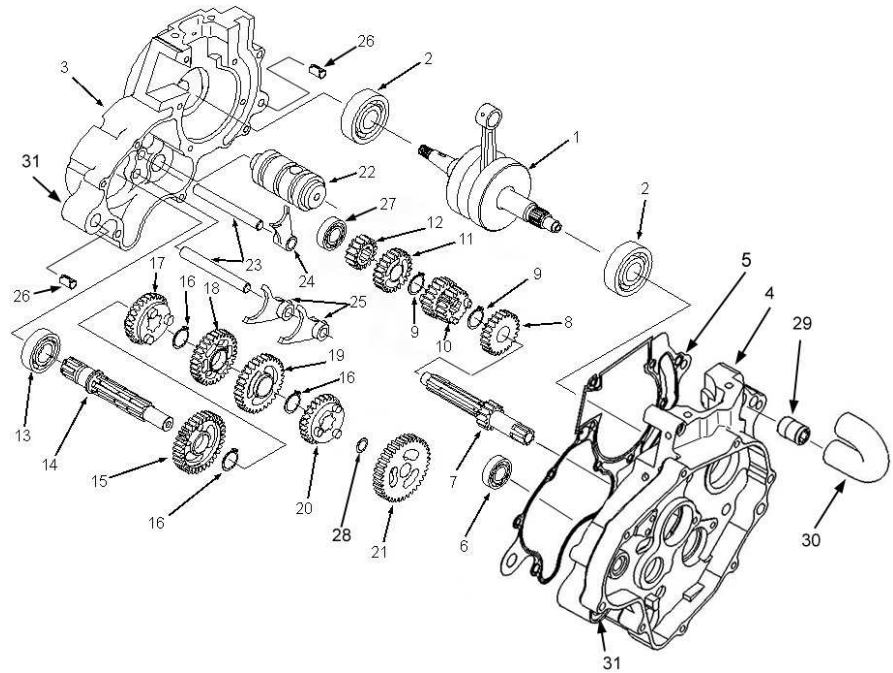
Parts – Engine – Top End



Engine – Top End		
REF #	PART #	DESCRIPTION
1	ECC60017	CYLINDER KIT (INCLUDES PISTON KIT)
2	ZCC60015	BASE GASKET 0.015"
	ZCC60010	BASE GASKET 0.010"
	ZCC60030	BASE GASKET 0.030"
3	ECMU0084	PISTON KIT
5	ECEX0005	PISTON RINGS (2 PER SET)
6	**	SNAP RING FOR PISTON (2 REQ'D)
7	**	WRIST PIN
8	ECDC0061	BEARING, WRIST PIN
9	ZCMUOR07	O-RING, EXHAUST FLANGE
10	ECC60002	EXHAUST FLANGE 30MM
NOT SHOWN	ZCMOTE11	O-RINGS – PIPE TO FLANGE (2 REQ'D)
11	HCBC0601	M6X16 SHCS, EXHAUST FLANGE SCREW (2 REQ'D)
12	HCNS0701	7MM Nut
13	HCWS1401	FLAT WASHER – HARDENED
14	ECC60010	CYLINDER HEAD OUTER
15	ZCMUOR02	O-RING, CYLINDER HEAD LARGE
16	ZCMUV024	O-RING CYLINDER HEAD SMALL
17	ZCMUOR10	O-RING CYLINDER STUD (4 REQ'D)
18	ECC60009	CYLINDER HEAD INSERT 07 65
19	ZCMUV032	O-RING CYLINDER HEAD MEDIUM
20	ECMU0147	STUD, CYLINDER 7mm

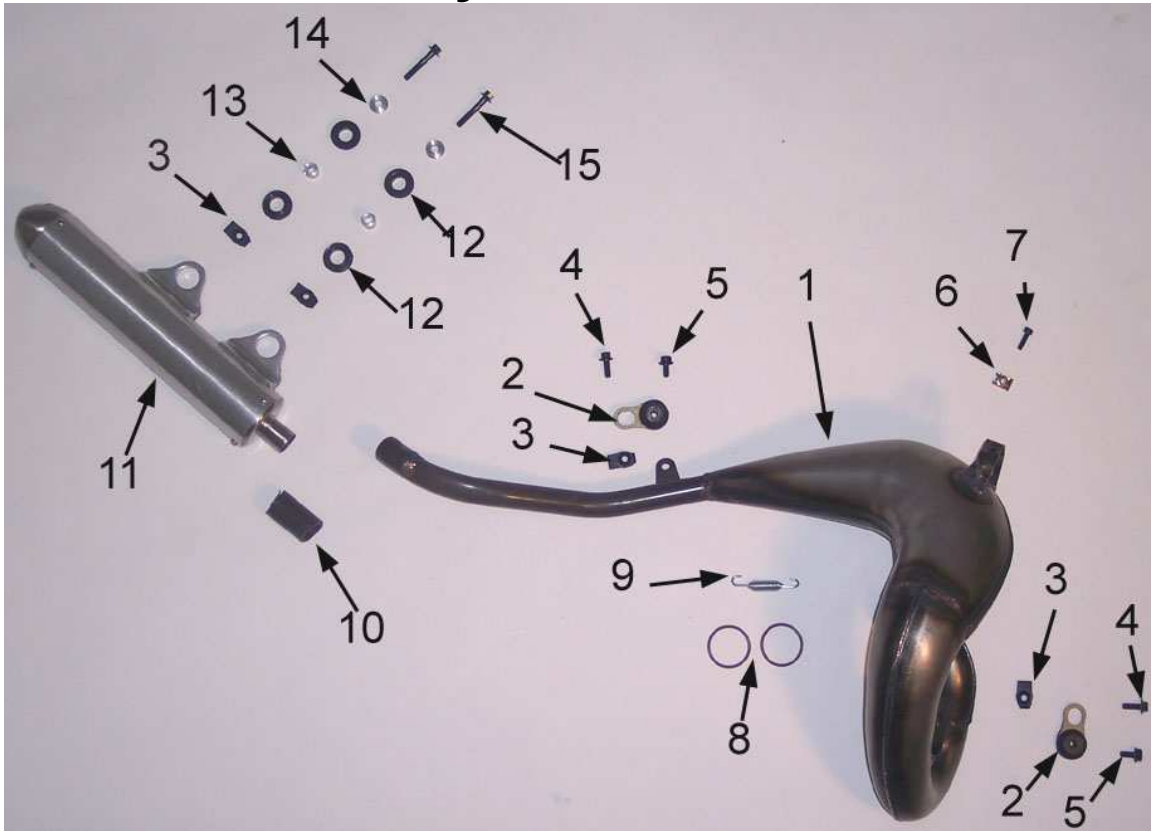
** Call Tech support if you need these parts.

Parts - Engine - Transmission



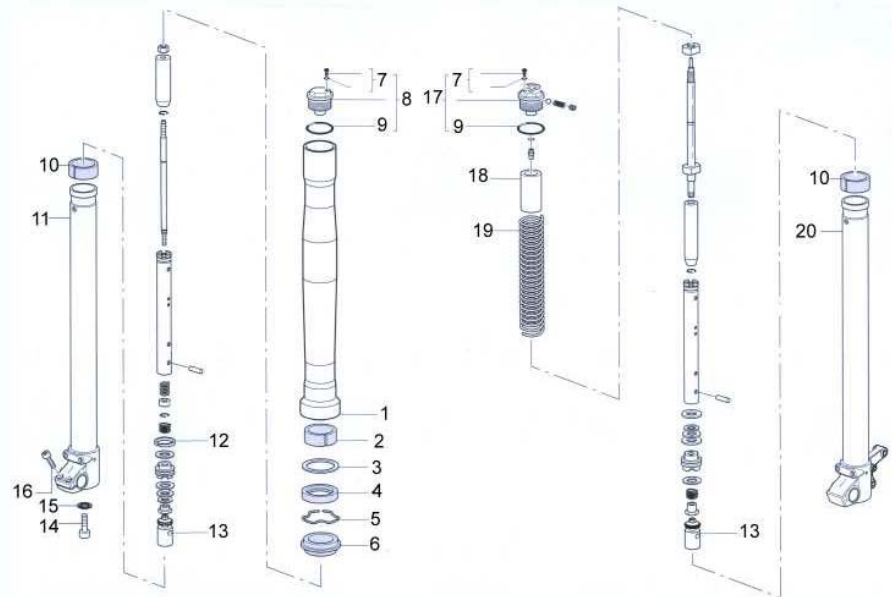
Transmission		
REF #	PART #	DESCRIPTION
1	ECC60001	CRANKSHAFT 07 65
2	ECDC0023	BEARING, CRANKSHAFT
3	EAC60002	ENGINE CASE LH W/B&S CX65 07
4	EAC60003	ENGINE CASE RH W/B&S CX65 07
5	ZCC60001	GASKET CRANKCASE 07 65
Left Case Screws	HCBC0604	6X35MM SOCKET HEAD CAP SCREW (4 REQ'D)
Right Case Screws	HCBC0603	6X30MM SHCS (7 REQ'D)
Right Case Screws	HCBC0607	6X50 SHCS
6	ECDC0021	BEARING, OUTPUTSHAFT CLUTCH SIDE
7	ECDC0001	SHAFT, TRANSMISSION PRIMARY (1 ST GEAR)
8	ECDC0002	GEAR, 6 TH PRIMARY 24T
9	ECDC0003	SNAP RING, EXTERNAL 17 MM (2 REQ'D)
10	ECDC0004	GEAR, 3 RD / 4 TH PRIMARY, 18/21T
11	ECDC0005	GEAR, 5 TH PRIMARY, 23T
12	ECDC0006	GEAR, 2 ND PRIMARY, 16T
13	ECKGBR01	BEARING, OUTPUT IGNITION SIDE
14	ECDC0007	SHAFT, TRANSMISSION OUTPUT
15	ECDC0010	GEAR, 2 ND OUTPUT, 34T
16	ECDC0017	SHAP RING, EXTERNAL 18MM (3 REQ'D)
17	ECDC0011	GEAR, 5 TH , OUTPUT, 28T
18	ECDC0013	GEAR, 4 TH OUTPUT, 30T
19	ECDC0014	GEAR, 3 RD OUTPUT, 31T
20	ECDC0015	GEAR, 6 TH OUTPUT, 26T
21	ECDC0016	GEAR, 1 ST OUTPUT, 37T
22	ECDC0047	SHIFT DRUM
23	ECDC0050	SHIFT ROD (2 REQ'D)
24	ECDC0048	SHIFT FORK, INPUT
25	ECDC0049	SHIFT FORK, OUTPUT (2 REQ'D)
26	ECDC0031	DOWEL, HOLLOW CENTERING (2 REQ'D)
27	ECKG0031	BEARING, PRIMARY SHAFT IGNITION SIDE
28A	ECMU0040	SHIM TRANSMISSION 0.030" (0.48mm) THICK
28B	ECMU0040T	SHIM TRANSMISSION 0.015" (0.4 mm) THICK
NOT SHOWN	ECC60015	BUSHING ENGINE / SWINGARM PIVOT CX65

Parts – Exhaust System



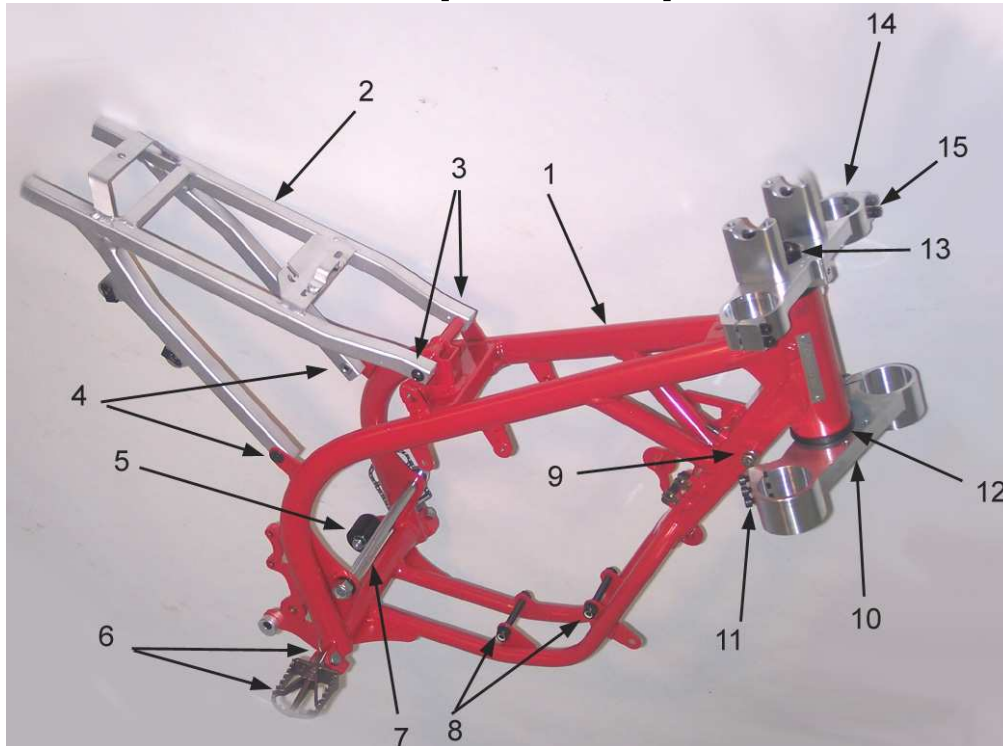
Exhaust System		
REF #	PART #	DESCRIPTION
1	XCC60001	EXPANSION CHAMBER 07
2	XCMU0033	ISOLATION MOUNT (2 REQ'D)
3	HCHA0003	6MM CLIP NUT-PLASTIC/PIPE MNT (2 REQ'D FOR PIPE & 2 REQ'D FOR SILENCER)
4	HCBF0616	6X16MM FLANGE HEAD BOLT (2 REQ'D)
5	HCBF0612	6X12MM FLANGE HEAD BOLT (2 REQ'D)
6	HCCN0000	5MM EXTRUDED "U" NUT
7	HCBC0516	5X16MM SHCS FOR RIGHT SHROUD MOUNT
8	ZCMOTE11	O-RING – EXHAUST (2 REQ'D)
9	XCMU0005	SPRING – PIPE – SHORT
10	XCKG0009	GROMMET – SILENCER TO PIPE
11	XCMU0032	SILENCER 10" ROUND 2007
12	MCMUGR03	GROMMET FOR RADIATOR (4 REQ'D)
13	TCKG0001	SPACER GENERAL 1/2 DIA 13.2 LG (2 REQ'D)
14	TCC60016	SPACER TOP HAT (2 REQ'D)
15	HCBF0630	6X30 FLANGE HEX-8MM HEAD
NOT SHOWN	XCMU0026	SILENCER PACKING KIT

Parts – Forks – Leg Assembly



Fork Leg Assembly		
REF #	PART #	DESCRIPTION
	KACX6507	FORK SET – 2007 CX64
1		FORK LEG OUTER
2	KCC60004	BUSHING – TOP
3		WASHER
4	KCC60002	FORK SEAL
5	KCC60011	CLIP RING
6	KCC60003	DUST COVER (SWIPER)
7	KCC60012	BLEED SCREW WITH SEAL
8		CAP – REBOUND SIDE
9		O-RING – FORK CAP
10	KCC60005	BUSHING – BOTTOM
11		FORK LEG INNER – NON BRAKE SIDE
12	KCC60006	SEAL – PISTON
13	KCC60009	BASE VALVE BODY
14		BOLT – FORK BOTTOM
15	KCC60008	WASHER – FORK BOTTOM
16		BOLT – AXLE CLAMP
17	KCC60007	CAP - COMPRESSION SIDE
18		SPACER – PRELOAD
19	KCC60024	FORK SPRING .24 KG/MM
	KCC60026	FORK SPRING .26 KG/MM STANDARD
	KCC60028	FORK SPRING .28 KG/MM HEAVY
20		FORK LEG INNER – BRAKE SIDE
21	KCKG0140	FORK GUARDS – PAIR
22	HCBC0612	M6X12 SHCS (4 REQ'D)
23	MCMUZT04	TIE WRAP (2 REQ'D)

Parts – Frame & Triple Clamps



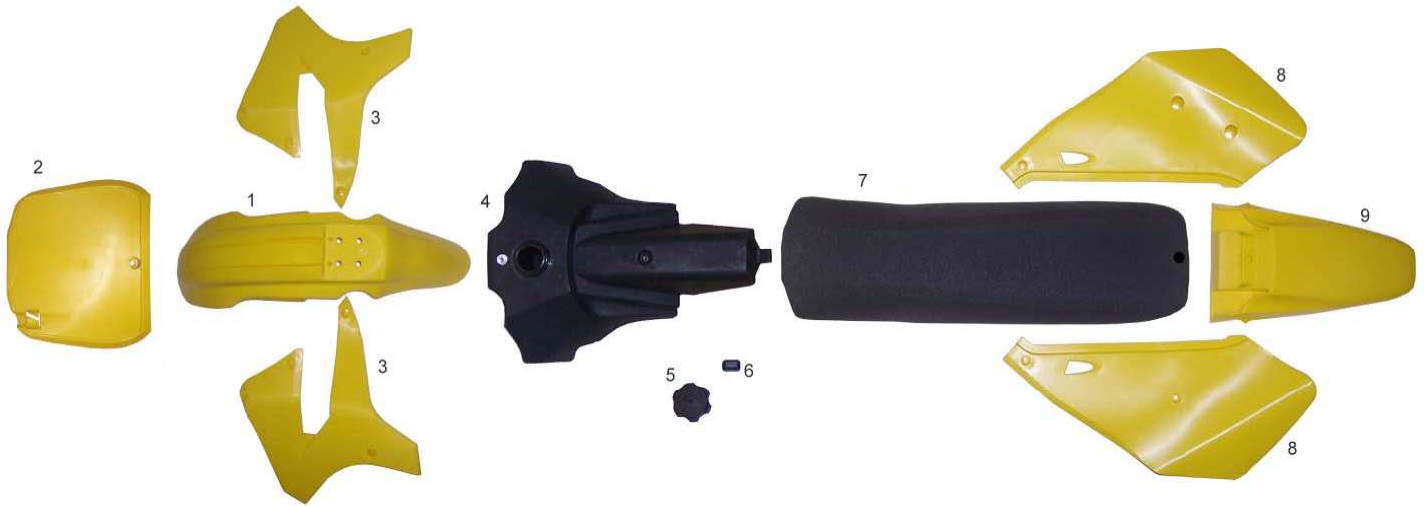
Frame		
REF #	PART #	DESCRIPTION
1	FAC60002	SUBFRAME CX65 W/ BEARING RACES
2	FACX6507	FRAME WELDED ASSEMBLY 07 65
3	HCBB0835	8X35MM BUTTON HEAD SCREW (2 REQ'D) – TOP MOUNT
4	HCFH0825	8X25MM FLAT HEAD CAP SCREW – (2 REQ'D) – BOTTOM MOUNT
5	FCC60020	CHAIN ROLLER W BEAR & SEALS
	BCDC0153	WASHER
6	TCMU0039	FOOTPEG SET ULTRA WIDE CX65
	TCC60012	FOOTPEG SPRING ULTRA WIDE 07 (2 REQ'D)
	HCBH0840	8MM X 40 HEX HEAD 30MM NO THRD – FOOTPEG (2 REQ'D)
	HCNL0801	8MM LOCKNUT – FOOTPEG (2 REQ'D)
7	WCKG0011	SWINGARM PIVOT BOLT
	HCWF1202	12MM FLAT WASHER
	HCNL1201	12MM LOCKNUT
8	HCBH0865	8X65MM HEX HEAD – FRONT ENGINE MOUNTS (2 REQ'D)
	HCWF0801	8MM FLAT WASHER – FRONT ENGINE MOUNTS (4 REQ'D)
	HCNL0801	8MM LOCKNUT – FRONT ENGINE MOUNTS (2 REQ'D)
9	HCBH0807	8X20MM HEX HEAD – STEERING STOP (2 REQ'D)
	HCNS0801	8MM NUT – STEERING STOP (2 REQ'D)
10	FCC60003	TRIPLE CLAMP BOTTOM
	FCMU0001	STEERING STEM
11	HCBC0625	6X25MM FOR BOTTOM CLAMP (6 REQ'D)
12	FCMU1103	DUST COVER STEER STEM, RUBBER (2 REQ'D)
	FCMU0004	BEARING – STEERING TAPERED
13	HCNJ0102	JAM NUT STEERING STEM (2 REQ'D)
14	FCC60002	TRIPLE CLAMP TOP
15	HCBC0603	6X13MM SHCS FOR TOP CLAMP (4 REQ'D)

Parts – Front Wheel & Brakes



Front Brakes		
REF#	PART #	DESCRIPTION
1	WAC6FR01	WHEEL 14" FRONT W BEARINGS (NO TIRE, OR TUBE,)
	WCDC6014	TIRE-BRDGESTNE-FRT60/100-14M39
	WCC6F014	TIRE-DUNLOP
	WCDCHB01	HUB FOR CX65 – FRONT
	WCMU1400	14" RIM
	WCDCTU14	TUBE – 60/100-14 FRONT
	WCDC0009	RIM LINER 14" WHEEL
	WCDC0002	SPOKE-FRONT WHEEL-65
	WCDC0011	NIPPLE-SPOKE 9GA. STAINLESS
2	WCC60001	AXLE FRONT 07 65 STEEL
3	WCMU0120	BEARING, WHEEL-SEALED
4	WCC60006	SPACER WHEEL BEARING FRONT
5	WCC60002	WHEEL SPACER 07 65 FRNT LEFT
6	BCC60003	BRAKE ROTOR FRONT
7	HCBC1616	6X16MM SHCS WITH THREAD LOCK (4 REQ'D)
8	BAC60002	BRAKE ASSEMBLY FRONT AJP
9	HCBC0850	8X50MM SHCS
10	HCBC0820	8X20MM SHCS
	WCMUZT04	CABLE TIES (2 REQ'D) TO SECURE BRAKE LINE TO FORK GUARD
		BRAKE FLUID
ACCESSORY	BCC60006	REPLACEMENT HOSE -
ACCESSORY	BCC60007	BRAKE PADS
ACCESSORY	BCC60008	BRAKE LEVER
ACCESSORY	BCC60009	MASTER CYLINDER
ACCESSORY	BCC60010	PISTON REBUILD KIT
ACCESSORY	BCC60011	CALIPER

Parts –Bodywork



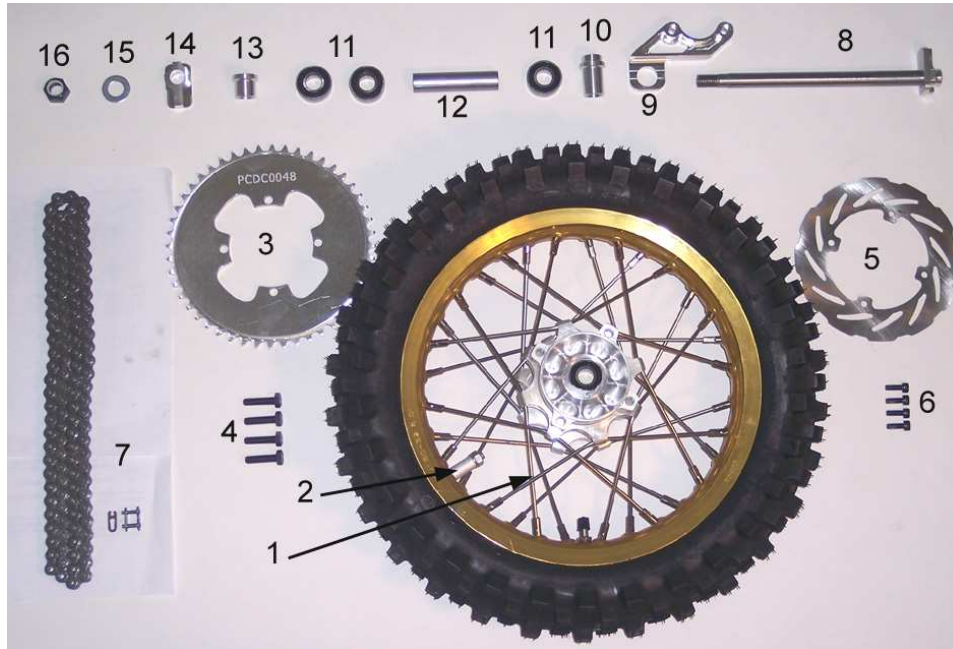
Plastic and Seat		
REF #	PART #	DESCRIPTION
NOT SHOWN	TCC60013	GRAPHIC KIT
1	TCC60001	FRONT FENDER
NOT SHOWN	HCBF0616	FENDER BOLT, M6X16 FLANGE HEAD (4 REQ'D)
2	TCC60002	NUMBER PLATE – FRONT
NOT SHOWN	HCBF0612	M6X12 FLANGE HEAD BOLT – FRONT NUMBER PLATE MOUNT
3	TCC60003	RADIATOR SHROUDS – PAIR
NOT SHOWN	HCSP0003	PLASCREW – SHROUDS TO TANK (4 REQ'D)
NOT SHOWN	HCBC0501	M5X12 SOCKET HEAD – SHROUDS TO FRAME (2 REQ'D)
NOT SHOWN	HCBC0516	M5X16 SHOCKET HEAD-STROUDS TO RAD & EXH (2 REQ'D)
NOT SHOWN	HCCN0000	5MM EXTRUDED “U” NUT TO RAD & EXH (2 REQ'D)
4	TCC60009	FUEL TANK
5	TCHA0002	CAP – FUEL TANK
NOT SHOWN	TCHA0003	HOSE – FUEL CAP
NOT SHOWN	TCHA0005	SPACER – FRONT TANK MOUNT
NOT SHOWN	HCFH0620	M6X20 FLAT HEAD – FRONT SEAT MOUNT
6	TCC60010	ISOLATION CAP – TANK MOUNTING REAR
NOT SHOWN	TCMU0000	FUEL PETCOCK
NOT SHOWN	FCMU0026	FUEL LINE
NOT SHOWN	MCMUCL04	HOSE CLAMPS – FUEL LINE (2 REQ'D)
7	TAC60001	SEAT
NOT SHOWN	HCBB0625	M6X25 BUTTON HEAD CAP SCREW – SEAT HOLDING
NOT SHOWN	HCWF1478	22MM OD FLAT WASHER – SEAT HOLDING
8	TCC60005	SIDE NUMBER PLATE – PAIR
NOT SHOWN	HCBC0516	M5X16 SOCKET HEAD CAP SCREW (3 REQ'D)
NOT SHOWN	HCBF0630	M6X30 FLANGE HEAD BOLT – SILENCER (2 REQ'D)
NOT SHOWN	TCC60016	TOP HAT SPACER - SILENCER (2 REQ'D)
9	TCC60007	FENDER – REAR
NOT SHOWN	HCSP0003	PLASCREW – FENDER TO AIRBOX (2 REQ'D)
NOT SHOWN	HCBC0516	M5x16 SOCKET HEAD CAP SCREW (2 REQ'D)
NOT SHOWN	HCWP0002	WASHER - BODY PANEL (2 REQ'D)
NOT SHOWN	HCHA0003	CLIP NUT – 6MM

Parts – Rear Brake



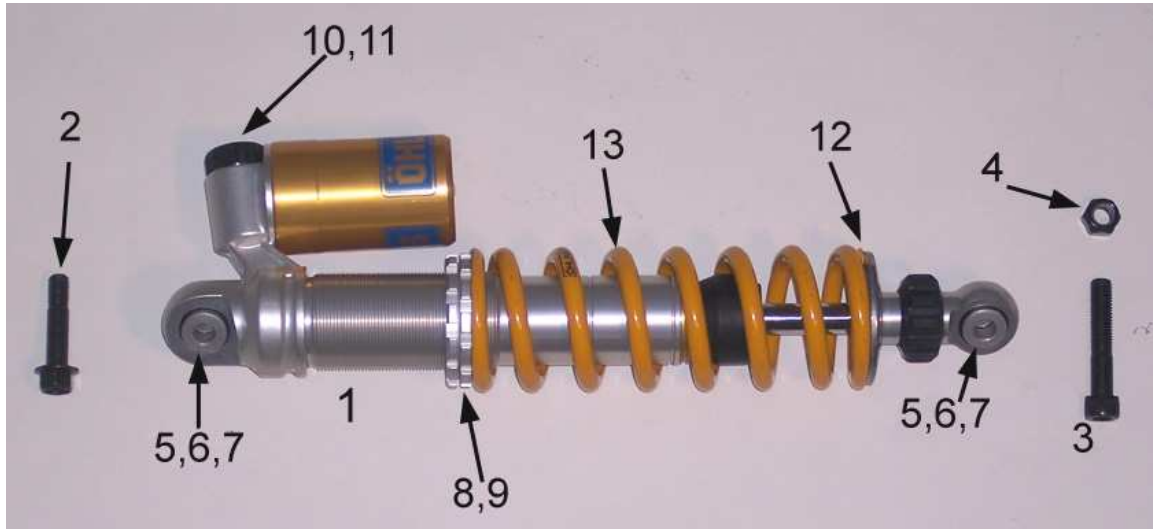
Rear Brake System		
REF #	PART #	DESCRIPTION
1	BAC60001	BRAKE ASSEMBLY REAR FORMULA
	BCKG0013	CALIPER – REAR BRAKE
	BCKG0012	MASTER CYLINDER – REAR
	BCC60005	HOSE – REPLACEMENT
2	BCC60002	CALIPER BRACKET REAR
3	HCBC0601	6X16CS
4	HCBC0606	6X45MM SHCS ZINC PLATED
5	HCBF0620	6X20 FLANGE HEX-8MM HEAD
6	HCCC0005	BRAKE - HOSE GUIDE
7	HCPP0832	#8X1/2 SELF TAPING SCREW
8	BCDC0009	BRAKE PEDAL PIVOT BOLT
9	BCMU0012	BRAKE PEDAL-STEEL-05
10	BCMU0015A	BRAKE CLEVIS
11	BCMU0015B	BRAKE RETAINING SPRING PIN
12	BCMU0016	PLUNGER THREADED FOR CLEVIS
13	HCNS0601	6MM NUT FOR PLUNGER
14	BCMU0501	SEAL-BRAKE PEDAL
15	BCMUSP02	SPRING, REAR BRAKE PEDAL
16	FCEX0018	BRAKE ADJUST ECCENTRIC
17	HCBC0612	6X12 SHCS
18	BCC60004	BRAKE ROTOR REAR
19	HCBB0616	6X16 BUTTON WITH THREAD LOCK rotor bolts
ACCESSORY	BKKG0001	BRAKE PADS WITH "E" CLIP
ACCESSORY	BCKG0031	BLEED KIT (MULTIPLE SYRINGES, FITTINGS & HOSE)
ACCESSORY	BCKG0014	FITTING KIT
ACCESSORY	BCKG0015	MASTER CYLINDER PISTON / SEAL KIT
ACCESSORY	BCKG0016	RESERVOIR SEAL KIT
ACCESSORY	BCKG0017	CALIPER BOLT / O-RING KIT
ACCESSORY	BCKG0018	CALIPER PISTON / SEAL KIT
ACCESSORY	BCKG0019	PAD RETURN SPRING (4 LEG SPRING)

Parts – Rear Wheel



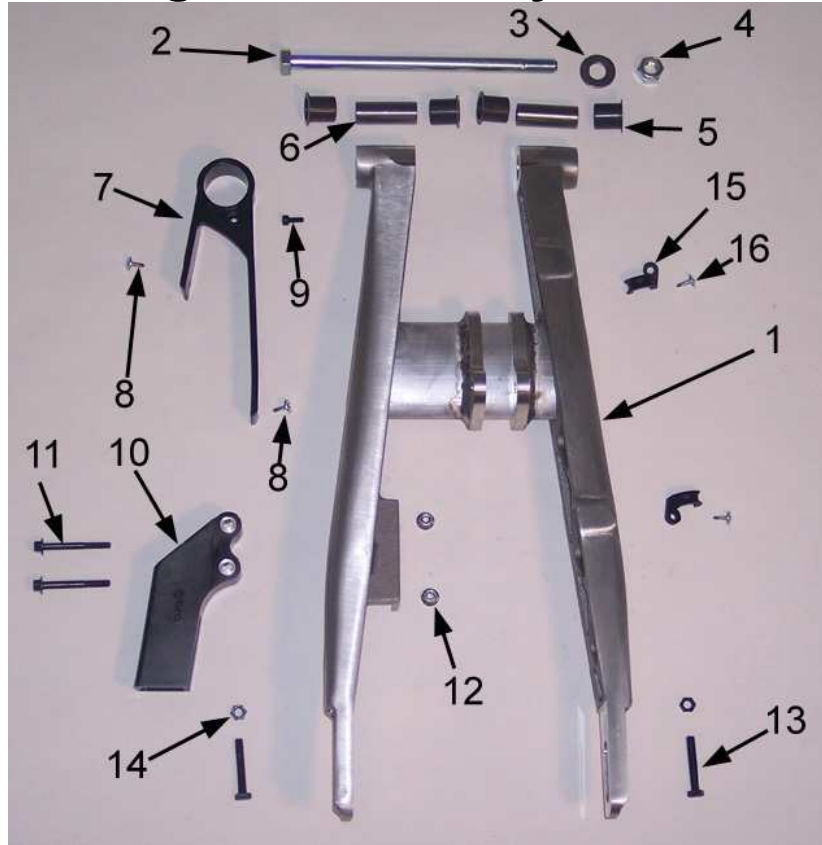
Rear Wheel		
REF #	PART #	DESCRIPTION
1	WAC6RR01	WHEEL 12" REAR W BEARINGS (NO TIRE, TUBE, ROTOR OR SPROCKET)
	WCDC8012	TIRE-BRDGESTNE-RR-80/100-12M40
	WCC6R012	TIRE – DUNLOP
	WCDCHB02	HUB FOR CX65-REAR
	WCMU1200	12" RIM
	WCDCTU12	TUBE-275-80/100-12 REAR
	WCDC0010	RIM LINER 12" WHEEL
	WCDC0003	SPOKE-REAR WHEEL-65
	WCDC0011	NIPPLE-SPOKE 9GA. STAINLESS
2	WCDC0001	RIM LOCK FOR REAR WHEEL (32 REQ'D)
	WCDC0008	RIM LOCK SPACER-DC65
	HCNS0801	8MM NUT
	HCWF0801	8MM FLAT WASHER
3	PCDC00xx	SPROCKET – xx denotes number of teeth
4	HCBH0808	8X30MM HEX HEAD (4 REQ'D)
5	BCC60004	BRAKE ROTOR REAR
6	HCBC1616	6X16 SHCS WITH THREAD LOCK (4 REQ'D)
7	PCMU0116	CHAIN 420H 116 LINK CX65 14/48
9	WCC60004	AXLE REAR 07 65
10	BCC60002	CALIPER BRACKET REAR
11	WCC60003	WHEEL SPACER 07 65 REAR RIGHT
12	WCMU0120	BEARING, WHEEL
13	WCC60007	SPACER WHEEL BEARING REAR
14	WCC60005	WHEEL SPACER 07 65 REAR LEFT
15	GCC60010	CHAIN ADJUST BLOCK OFFSET
16	HCWF1400	14MM FLAT WASHER
17	HCNL1402	14MM LOCKNUT

Parts – Shock



Shock		
REF #	PART #	DESCRIPTION
1	SAAX2007	SHOCK ABSORBER - CX65
2	HCBF1040	10X44 ENG FAST FLANGE HEAD
3	HCBC1055	10X55 SHCS BLACK ZINC
4	HCNL1001	10MM LOCKNUT-REGULAR
5	SCKGOH03	BALL JOINT
6	SCKGOH11	O-RING FOR BALL JOINT
7	SCKGOH02	SPACER FOR BALL JOINT
8	SCKGOH04	SPRING PLATFORM (UPPER THREADED)
9	SCKGOH05	LOCKNUT
10	SCKGOH22	KNOB FOR ADJUSTMENT
11	SCKGOH21	SCREW FOR KNOB
12	SCKGOH01	SPRING PLATFORM (LOWER NONTHEADED)
13	SCC60240P	SPRING EXTRA LIGHT 240 LB/IN (WHITE)
	SCC60260P	SPRING LIGHT 260 LB/IN (BLACK)
	SCEX1300	SPRING HEAVY 300 LB/IN (RED)

Parts – Swingarm Assembly



Swingarm		
REF #	PART #	DESCRIPTION
1	GACX6507	SWINGARM WELDED ASSY ALUMINUM
2	WCKG0011	BOLT - SWINGARM PIVOT
3	HCWF1202	12MM WASHER – SWINGARM PIVOT
4	HCNL1201	12MM LOCK NUT – SWINGARM PIVOT
5	GCC60002	SWINGARM BUSHING 07 65 (4 REQ'D)
6	GCC60001	SWINGARM PIVOT TUBE SPACER 07 65 J(2 REQ'D)
7	TCC60004	CHAIN SLIDER TOP FOR SWINGARM
8	HCPP0832	#8X1/2 SELF TAPING SCREW (2 REQ'D FOR CHAIN SLIDER)
9	HCBC0501	5X12MM SHCS – CHAIN SLIDER MOUNT
10	PCC60004	CHAIN GUIDE (BOTTOM) CX65
11	HCBF0645	6X45 FLANGE HEAD BOLT (2 REQ'D)
12	HCNF0602	6MM FLANGE NUT (2 REQ'D)
13	HCNS0701	7MM NUT (2 REQ'D)
14	HCBH0740	7X40 HEX HEAD FULL THREAD (2 REQ'D)
15	HCCC0005	BRAKE - HOSE GUIDE (2 REQ'D)
16	HCPP0832	#8X1/2 SELF TAPING SCREW (2 REQ'D)